



Helicoil cutting taps series

# HELICOIL SERIES

Volume 1.1













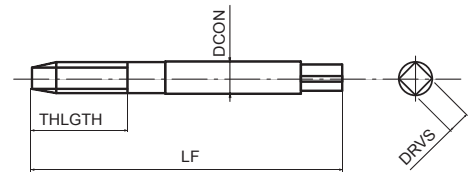






# E-HL-SFT

Threading | Cutting taps | Helicoil EG-UNJC



- Powder metal low spiral-fluted cutting tap for blind holes
- Bright finish
- For Nickel-based alloys including Inconel 718
- For thread insert



1-3

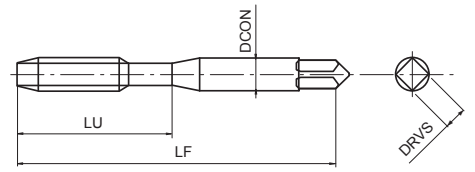
m/min

EG UNJC
PM
10°
ANSI 3B
C/2,5
DIN 2184-1

EDP	TD	TP	Cutter diameter EG	LF	THLGTH	DCON	DRVS	NOF	PHD	DIN
48015457	4	40	3,67	56	13	4	3	3	3	2184-1
48015461	6	32	4,536	63	18	4,5	3,4	3	3,7	2184-1
48015464	8	32	5,197	70	20	6	4,9	3	4,4	2184-1

# H-HL-SFT

Threading | Cutting taps | Helicoil EG-UNJC



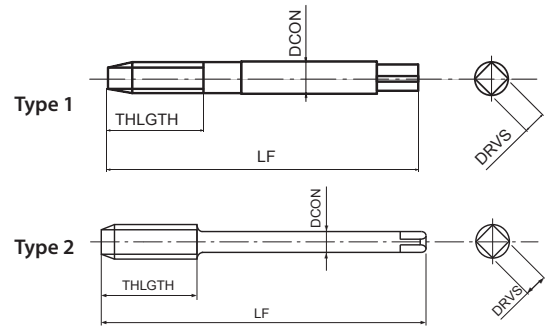
- Powder metal low spiral-fluted cutting tap for blind holes
- Steam oxide treatment
- For hardened steels up to 45 HRC
- For thread insert

<b>P</b> C ≥ 0,45%	<b>P</b> SCM	<b>K</b> GGG	<b>S</b> Ti	<b>S</b> Ni	<b>H</b> 25-35 HRC	<b>H</b> 35-45 HRC		
7-12	7-12	7-12	3-5	1-3	4-8	4-8	m/min	
<b>EG UNJC</b>	<b>PM</b>	<b>OX</b>	<b>15°</b>	<b>ANSI 3B</b>	<b>C/3</b>			<b>DIN 2184-1</b>

EDP	TD	TP	Cutter diameter EG	LF	THLGTH	DCON	DRVS	NOF	PHD	DIN
48017457	4	40	3,67	56	20	4	3	2	3	2184-1
48017461	6	32	4,536	63	21	4,5	3,4	3	3,7	2184-1
48017464	8	32	5,197	70	25	6	4,9	3	4,4	2184-1

# E-HL-POT

Threading | Cutting taps | Helicoil EG-UNJF



- Powder metal spiral-point cutting tap for through holes
- Bright finish
- For Nickel-based alloys including Inconel 718
- For thread insert



2-4 m/min

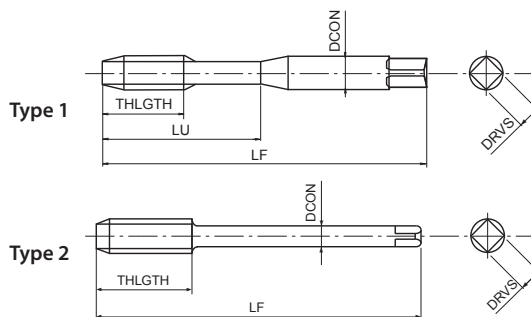


EDP	TD	TP	Cutter diameter EG	LF	THLGTH	DCON	DRVS	NOF	PHD	Type	DIN
48016467	10	32	5,857	80	23	7	5,5	3	5,1	1	2184-1
48016472	1/4	28	7,528	90	29	8	6,2	3	6,6	1	2184-1
48016476	5/16	24	9,312	90	35	10	8	3	8,3	1	2184-1
48016481	3/8	24	10,9	100	41	12	9	3	9,8	1	2184-1
48016486	7/16	20	12,762	100	22	10	8	3	11,5	2	2184-1
48016491	1/2	20	14,35	100	22	12	9	3	13,1	2	2184-1



# H-HL-POT

Threading | Cutting taps | Helicoil EG-UNJF



- Powder metal spiral-point cutting tap for through holes
- Steam oxide treatment
- For hardened steels up to 45 HRC
- For thread insert

Threading | Cutting taps

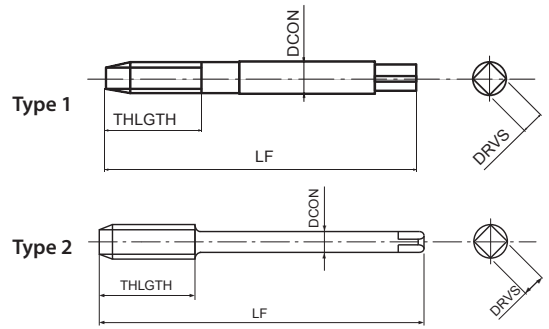
<b>P</b> C ≥ 0,45%	<b>K</b> GGG	<b>S</b> Ti	<b>S</b> Ni	<b>H</b> 25-35 HRC	<b>H</b> 35-45 HRC	
8-13	10-15	4-6	2-4	6-10	6-10	m/min
<b>EG</b> UNJF	<b>PM</b>	<b>OX</b>	<b>ANSI</b> 3B	<b>B/5</b>	<b>DIN 2184-1</b>	

EDP	TD	TP	Cutter diameter EG	LF	THLGTH	LU	DCON	DRVS	NOF	PHD	Type	DIN
48018467	10	32	5,857	80	-	30	7	5,5	3	5,1	1	2184-1
48018472	1/4	28	7,528	90	-	35	8	6,2	3	6,6	1	2184-1
48018476	5/16	24	9,312	90	-	35	9	7	3	8,3	1	2184-1
48018481	3/8	24	10,9	100	-	39	11	9	3	9,8	1	2184-1
48018486	7/16	20	12,762	100	22	-	9	7	3	11,5	2	2184-1
48018491	1/2	20	14,35	100	22	-	11	9	3	13,1	2	2184-1



# E-HL-SFT

Threading | Cutting taps | Helicoil EG-UNJF



- Powder metal low spiral-fluted cutting tap for blind holes
- Bright finish
- For Nickel-based alloys including Inconel 718
- For thread insert

Threading | Cutting taps



1-3

m/min

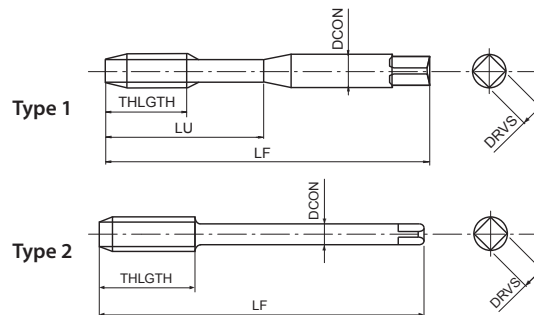


EDP	TD	TP	Cutter diameter EG	LF	THLGTH	DCON	DRVS	NOF	PHD	Type	DIN
48015467	10	32	5,857	80	21	7	5,5	3	5,1	1	2184-1
48015472	1/4	28	7,528	90	27	8	6,2	3	6,6	1	2184-1
48015476	5/16	24	9,312	90	33	10	8	3	8,3	1	2184-1
48015481	3/8	24	10,9	100	38	12	9	3	9,8	1	2184-1
48015486	7/16	20	12,762	100	15	10	8	3	11,5	2	2184-1
48015491	1/2	20	14,35	100	16	12	9	3	13,1	2	2184-1

Helicoil EG-UNJF

# H-HL-SFT

Threading | Cutting taps | Helicoil EG-UNJF



- Powder metal low spiral-fluted cutting tap for blind holes
- Steam oxide treatment
- For hardened steels up to 45 HRC
- For thread insert

<b>P</b> C ≥ 0,45%	<b>P</b> SCM	<b>K</b> GGG	<b>S</b> Ti	<b>S</b> Ni	<b>H</b> 25-35 HRC	<b>H</b> 35-45 HRC		
7-12	7-12	7-12	3-5	1-3	4-8	4-8		m/min
<b>EG</b> UNJF	<b>PM</b>	<b>OX</b>	<b>15°</b>	<b>ANSI</b> 3B	<b>C/2,5</b>		<b>DIN 2184-1</b>	

EDP	TD	TP	Cutter diameter EG	LF	THLGTH	LU	DCON	DRVS	NOF	PHD	Type	DIN
48017467	10	32	5,857	80	-	30	7	5,5	3	5,1	1	2184-1
48017472	1/4	28	7,528	90	-	35	8	6,2	3	6,6	1	2184-1
48017476	5/16	24	9,312	90	-	35	9	7	3	8,3	1	2184-1
48017481	3/8	24	10,9	100	-	39	11	9	3	9,8	1	2184-1
48017486	7/16	20	12,762	100	15	-	9	7	3	11,5	2	2184-1
48017491	1/2	20	14,35	100	16	-	11	9	3	13,1	2	2184-1





shaping your dreams

#### **OSG EUROPE LOGISTICS**

Avenue Lavoisier 1  
B-1300 Z.I. Wavre - Nord - Belgium  
Tel: +32 10 23 05 07  
Fax: +32 10 23 05 51  
info@osgeurope.com

#### **OSG BELUX**

Avenue Lavoisier 1  
B-1300 Z.I. Wavre - Nord - Belgium  
Tel: +32 10 23 05 11  
Fax: +32 10 23 05 31  
info@osg-belgium.com

#### **OSG FRANCE**

Parc Icade, Paris Nord 2  
Immeuble "Le Rimbaud"  
22 Avenue des Nations  
CS66191 - 93420 Villepinte - France  
Tel: +33 1 49 90 10 10  
Fax: +33 1 49 90 10 15  
sales@osg-france.com

#### **OSG NETHERLANDS**

Bedrijfsweg 5 - 3481 MG Harmelen  
Tel: +31 348 44 2764  
Fax: +31 348 44 2144  
info@osg-nl.com

#### **OSG UK**

Kelsey Close, Attleborough Fields Ind Est,  
CV11 6RS, Nuneaton, United Kingdom.  
Tel: +44 1827 720 013  
uk\_sales@osg-uk.com

#### **CZECH, SLOVAKIA, HUNGARY**

OSG Europe Logistics S.A.  
Slovakia organizacna zlozka  
Racianská 22/A, SK-83102 Bratislava  
Slovakia  
Tel. +421 24 32 91 295  
Orders-osgsvk@osgeurope.com

#### **OSG POLAND Sp. z o.o.**

Spółdzielcza 57  
05-074 Halinów - Poland  
Tel: +22 760 82 71  
Fax: +22 760 82 71  
osg@osg-poland.com

#### **OSG GERMANY**

Karl-Ehmann-Str. 25  
D - 73037 Göppingen - Germany  
Tel: +49 7161 6064 - 0  
Fax: +49 7161 6064 - 444  
info@osg-germany.de

#### **OSG SCANDINAVIA**

(For Scandinavian countries)  
Langebjergvaenget 16  
4000 Roskilde - Denmark  
Tel: +45 46 75 65 55  
Fax: +45 46 75 67 00  
osg@osg-scandinavia.com

#### **SWEDEN**

Branch office of OSG SCANDINAVIA  
Singelgatan 7  
212 28 Malmö - Sweden  
Tel: +46 40 41 22 55  
osg@osg-scandinavia.com

#### **OSG IBERICA**

Bekolarra 4  
E - 01010 Vitoria-Gasteiz - Spain  
Tel: +34 945 242 400  
Fax: +34 945 228 883  
osg.iberica@osg-ib.com

#### **RUSSIA**

Butlerova street, 17B, office 5069  
117342 Moscow - Russia  
Tel: +7 (495) 150 41 54  
info@osg-russia.com

#### **OSG TURKEY**

Rami Kışla Cad.No:56 Eyüp  
Istanbul 34056 - Turkey  
Tel:+90 212 565 24 00  
Fax: +90 212 565 44 00  
info@osg-turkey.com

#### **ROMSAN INTERNATIONAL CO. SRL**

Reprezentant Exclusiv OSG  
25C, Bucuresti-Magurele Street  
051431 Bucuresti - România  
Tel: +40 21 322 07 47  
Fax: +40 21 321 56 00  
romsan.int@romsan.ro

#### **AUSTRIA**

Branch office of OSG GERMANY  
Messestraße 11  
A-6850 Dornbirn  
Tel: +49 7161 6064-0  
Fax: +49 7161 6064-444  
info@osg-germany.de

#### **OSG ITALIA**

Via Ferrero, 65 A/B3  
I - 10098 Rivoli - Italy  
Tel: +39 0117705211  
Fax: +39 0117705215  
info@osg-italia.it

#### **Vischer & Bolli AG**

Machining and Workholding  
Im Schossacher 17  
CH-8600 Dübendorf  
T +41 44 802 15 15  
F +41 44 802 15 95  
info@vb-tools.com

**OSG EUROPE LOGISTICS S.A.**

09/2023 - All rights reserved. © OSG Europe 2023

The contents of this catalogue are provided to you for viewing only. They are not intended for reproduction either in part or in whole in this or other medium. They cannot be copied, used to create derivation work or used for any reason, by means without the express, written permission of the copyright owner. If prices are stated, they are netto unit-prices and any eventual tax(es) have to be added. The company is not responsible for any printing error in technical, price and/or any other data.

Tool specifications subject to change without notice.

[www.osgeurope.com](http://www.osgeurope.com)

